

(54) Title of the invention : DIGITAL TABLE CALENDAR EMBEDDED WITH SMART TECHNOLOGIES THEREOF

(51) International classification :G06Q0010100000, B42D0005040000, G06Q0010040000, H04W0004000000, G06Q0010000000

(86) International Application No :NA
 Filing Date :NA

(87) International Publication No : NA

(61) Patent of Addition to Application Number :NA
 Filing Date :NA

(62) Divisional to Application Number :NA
 Filing Date :NA

(71)Name of Applicant :
1)Dr. DIPEN KUMAR RAJAK
 Address of Applicant :ASSOCIATE PROFESSOR, DEPARTMENT OF MECHANICAL ENGINEERING, G. H. RAISONI INSTITUTE OF BUSINESS MANAGEMENT, JALGAON- 425002, MAHARASHTRA -----

Name of Applicant : NA
Address of Applicant : NA

(72)Name of Inventor :
1)Dr. DIPEN KUMAR RAJAK
 Address of Applicant :ASSOCIATE PROFESSOR, DEPARTMENT OF MECHANICAL ENGINEERING, G. H. RAISONI INSTITUTE OF BUSINESS MANAGEMENT, JALGAON- 425002, MAHARASHTRA -----

2)Dr. AJIT BEHERA
 Address of Applicant :ASSISTANT PROFESSOR, DEPARTMENT OF METALLURGICAL & MATERIALS ENGINEERING, NATIONAL INSTITUTE OF TECHNOLOGY, ROURKELA,769008, ODISA -----

3)Dr. ASHWINI KUMAR
 Address of Applicant :ASSOCIATE PROFESSOR, DEPARTMENT OF MECHANICAL ENGINEERING, SHREE GURU GOBIND SINGH TRICENTENARY UNIVERSITY, GURUGRAM 122505, HARYANA -----

4)DR. SHYAM KUMAR BIRLA
 Address of Applicant :ASSOCIATE PROFESSOR, DEPARTMENT OF MECHANICAL ENGINEERING, ORIENTAL COLLEGE OF TECHNOLOGY, BHOPAL 462022, MADHYA PRADESH -----

5)Dr. SANJAY M. R.
 Address of Applicant :SENIOR RESEARCH SCIENTIST NATURAL COMPOSITE RESEARCH GROUP, KING MONGKUT'S UNIVERSITY OF TECHNOLOGY NORTH BANGKOK, BANGKOK 10800, THAILAND -----

6)MR. MAHMOOD ALAM
 Address of Applicant :ASSISTANT PROFESSOR, DEPARTMENT OF MECHANICAL ENGINEERING, GURU GOBIND SINGH EDUCATIONAL SOCIETY'S TECHNICAL CAMPUS, BOKARO 827013, JHARKHAND -----

7)Mr. PARIMAL ANIL PATIL
 Address of Applicant :FLAT No. 9 AISHWARYA SANKUL, OPPO VIKHE PATIL MEMORIAL SCHOOL, DGP NAGAR 2, AMBAD, NASHIK 422010, MAHARASHTRA ---

(57) Abstract :
 DIGITAL TABLE CALENDAR EMBEDDED WITH SMART TECHNOLOGIES THEREOF In this current work disclosed, digital table calendar has been invented, which is embedded with diverse smart technologies. Invention is not limited to display the dates and years but also be of explaining the international, national and regional festivals with its historical facts. Wherein the particular important dates in the calendar, it will act as an encyclopedia. It will be a smart handy digital table calendar with a navigation system, weather forecasting, reminder notes (dates, events, appointments, daily tasks, schedule meetings, dentist appointment, birthday, etc.), and regional, national, and international holidays. It is compatible to excess the internet facility by connecting via Wi-Fi and data transferring via bluetooth, as per its requirements. However, the invention is to be able to create an external calendar that is connected to the internet which can provide instant copies of the calendar from the search engines.

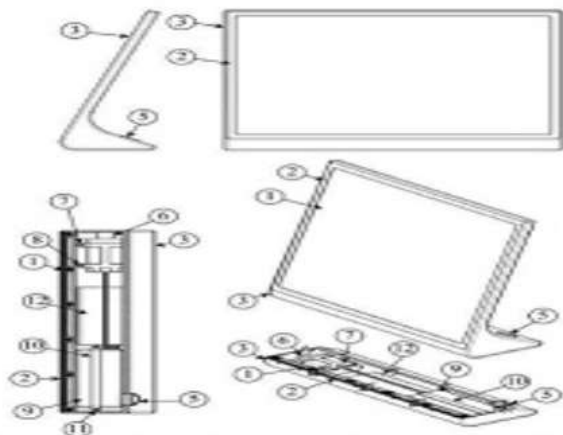


Figure 1: Front, right-side and section top view along with sectional isometric view

No. of Pages : 17 No. of Claims : 10